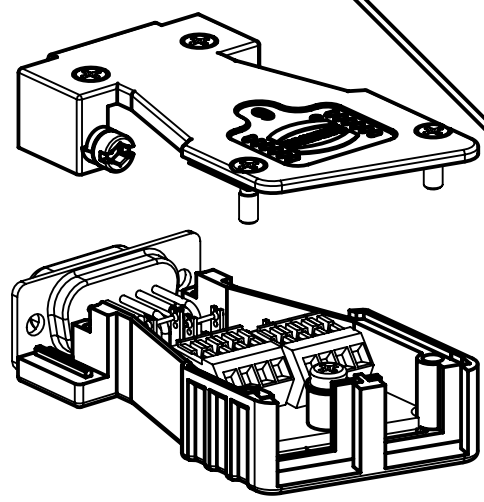
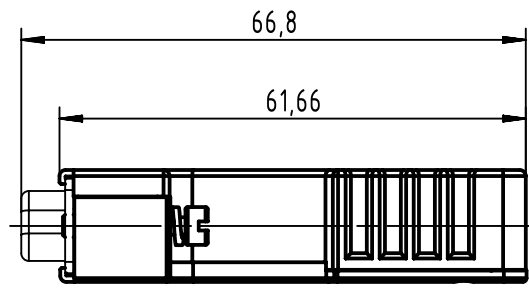
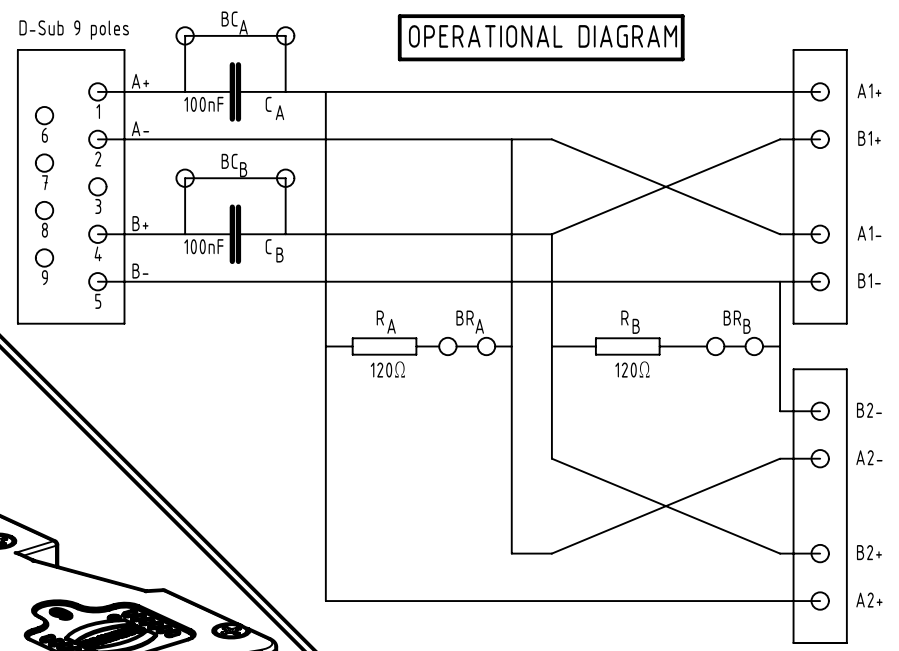
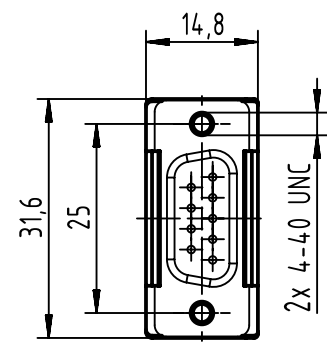
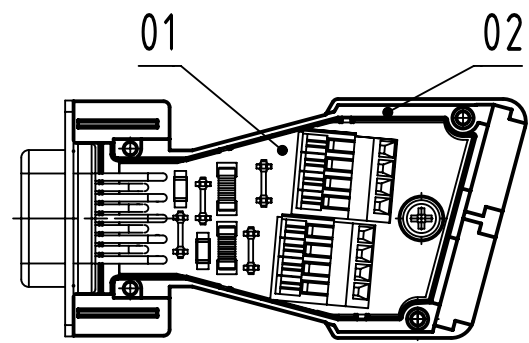


1 2 3 4 5 6

view without cover



in set inclusive

Number	Description
2	crimp flange 6,0-7,0
2	crimp ferrule 10,0-11,0
1	blanking piece 9-37
1	Label line A, B, A+B

	All rights reserved Department EL PD	All Dimensions in mm Original Size DIN A4		Scale 1:1	Free size tol.		Ref. Sub.	
		Created by ZHUANGJ	Inspected by LUOK	Standardisation ROEBEN	Date 2021-08-04	State Final Release		
Title InduCom 9 male MVB/WTB 4-40UNC		Doc-Key / ECM-Nr. 100073192/UGD/008/D 500000200533						
Type TB		Number 66630095013				Rev. D	Page 1/1	

6663 009 5013 777	PL1	Small batch
6663 009 5013	PL1	Standard batch
Part number	Performance level	Remark